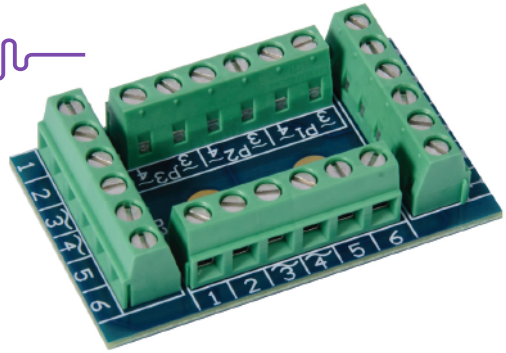


BookerLAB™

TB01 6-Pin Wiring Accessory

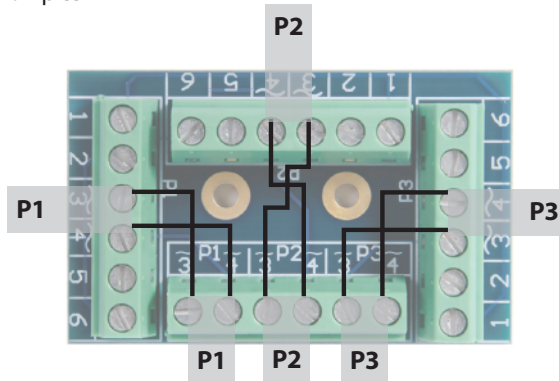


The TB01 6-Pin Wiring Accessory from BookerLAB provides easy, screw terminal connection to multiple Leslie® speakers. It provides 1:1 terminal blocks between up to three Leslies® with a separate AC power terminal for relay or other custom power distribution arrangements.

Potential Applications:

- 1-in and 2-out y-cable construction without soldering
- 5-pin to 6-pin conversion
- LV26-1 replacement

AC Power Examples

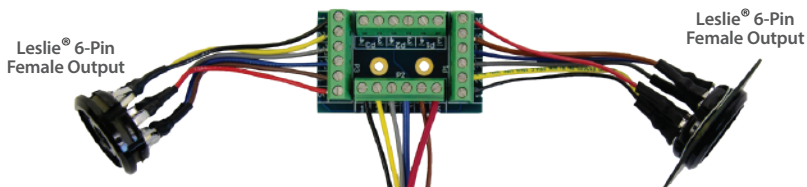


BookerLAB was created to maintain the quality of vintage musical instruments and supporting equipment, specifically the Leslie® Speaker Cabinet. BookerLAB offers a range of products for interfacing gear, conversion, motor control, and amplification. With products built solely in America, we've developed these unique systems in collaboration with music industry partners. Explore our story at www.bookerlab.com.

Please visit BookerLAB.com for more configurations and technical specifications.

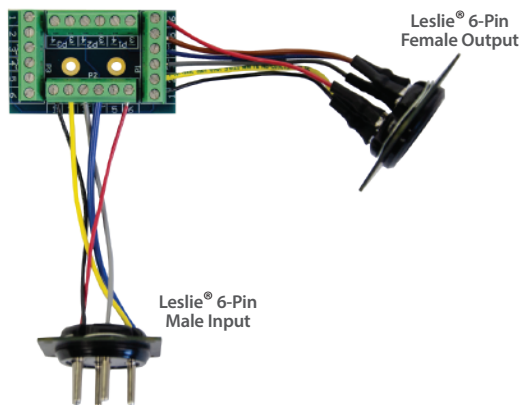
Hammond® is a registered trademark of Hammond Suzuki Corporation.

Application Examples



1-In and 2-Out Y-cable Construction

5-pin to 6-pin Conversion



LV26-1 Application

